

Kingbright

Optoelectronic Components

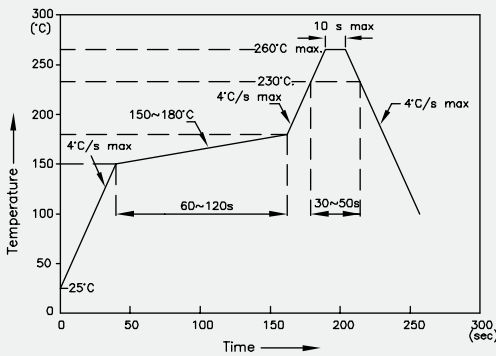


SMD Tape Specifications

106

SMT Reflow Soldering Instructions

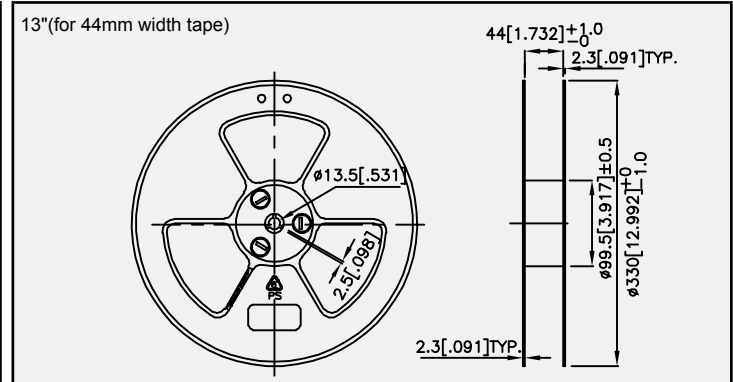
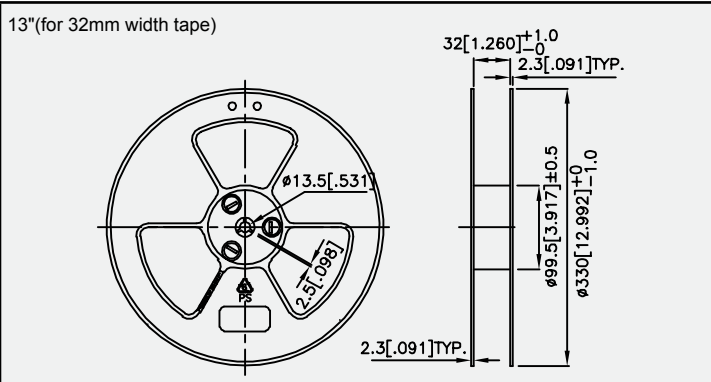
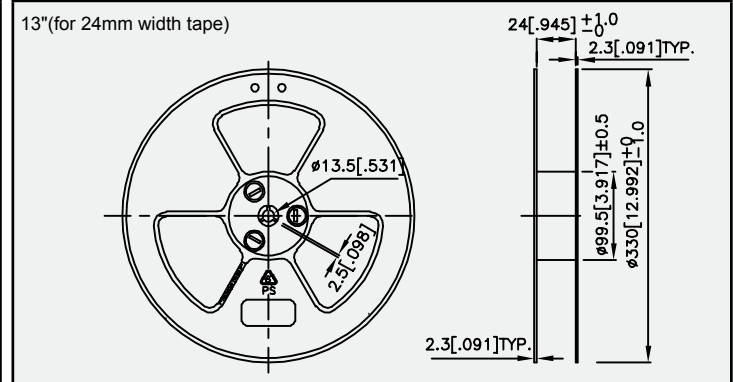
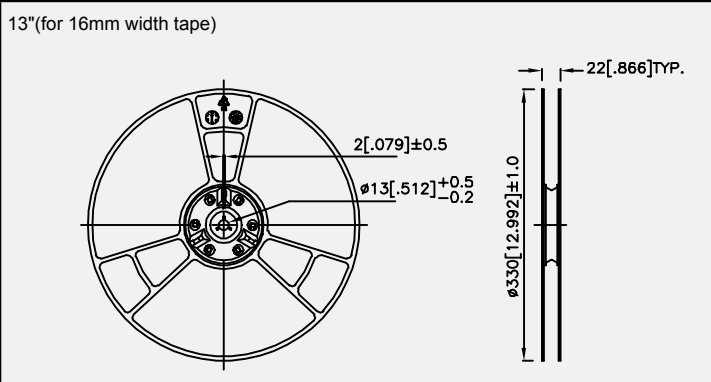
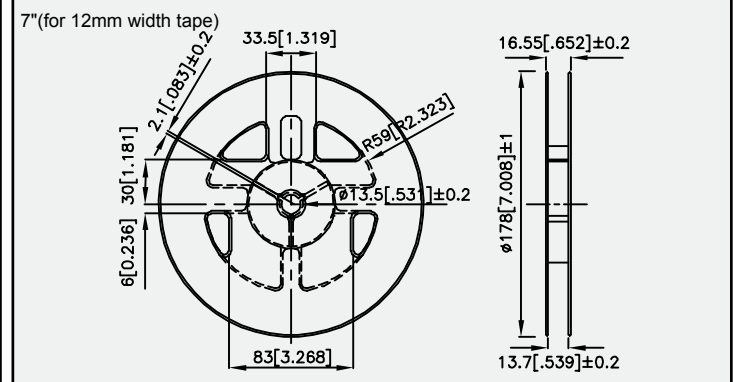
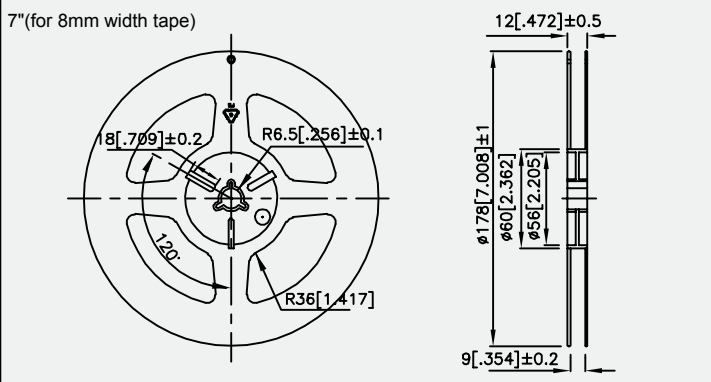
Reflow Soldering Profile For Lead-free SMT Process.



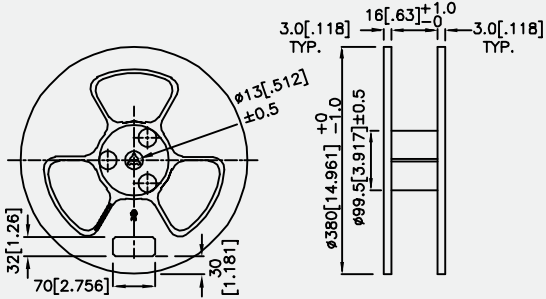
NOTES:

1. We recommend the reflow temperature 245°C(+/-5°C). The maximum soldering temperature should be limited to 260°C.
2. Don't cause stress to the epoxy resin while it is exposed to high temperature.
3. Number of reflow process shall be 2 times or less.

PART NUMBER	REEL DIMENSIONS
KPHHS-1005, KP-1608, KPT-1608, KPTD-1608, KP-2012, KPT-2012, KPTC-2012, KPHCM-2012, KP-23, KP-3216, KPT-3216, KPC-3216, KPTR-3216, KPA-1606, KPA-2106, KPJA-2107, KPA-3010, KPA-3210, KPL-3015, KPTL-3216, KPTD-3216, KPD-3224, KPTB-1612, KPTB-1615, KPBVA-3010, KPB-3025, KPBL-3025, KPBD-3224, , KM-23, KPHBM-2012, KA-2810A, KA-2214, KA-3021, KT-2117, KT-2520, KT-3020, KT-3228	7" (for 8mm width tape)
KA-2735, KA-3022-4.5SF, KA-3528, KA-3529, KA-3535, KA-4040, KA-4008, KAAF-5060, KM2520xxx03, KM2520xxx08, KM2520xxx09, KM-27xxx-03, KM-27xxx-09, KT-3535, KT-5050, KT-5051, KPED-3528, KPED-3820	7" (for 12mm width tape)
KTDG-9072	13" (for 16mm width tape)
KAD1-1010, KAD1-9090, KA-8080, KADG1-8080, KA-8070, KADS-8070, KCSX02, KCDX02, KCSX03, KCDX03, KCSX04	13" (for 24mm width tape)
KCDX04, KCPDX04, KCPSX04, KCSX56	13" (for 32mm width tape)
KCDX56	13" (for 44mm width tape)
KAAF5051	15" (for 16mm width tape)

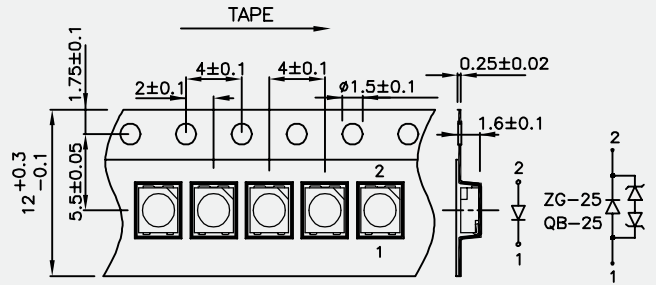


15" (for 16mm width tape)



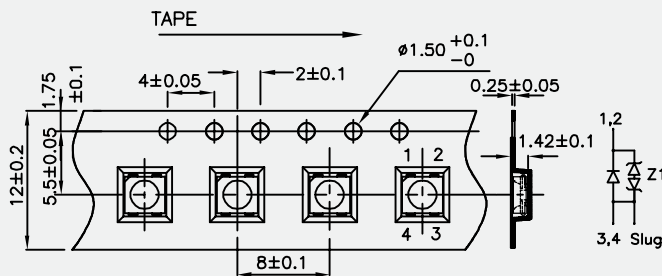
KA-3529

PACKAGE: 1500PCS / REEL



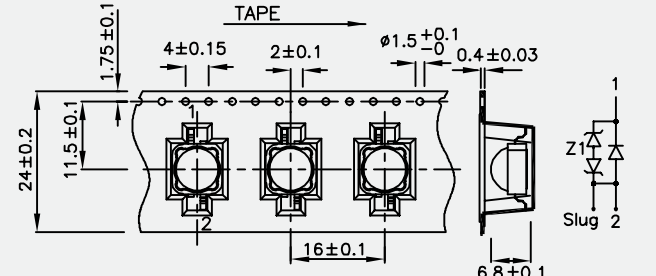
KA-3535

PACKAGE: 2000PCS / REEL



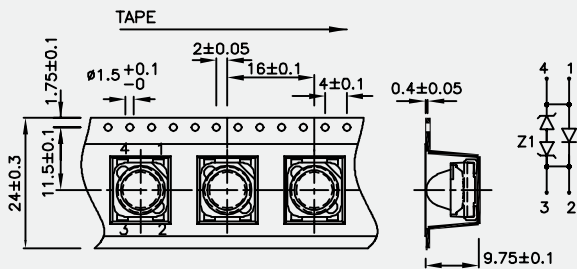
KAD1-9090

PACKAGE: 500PCS / REEL



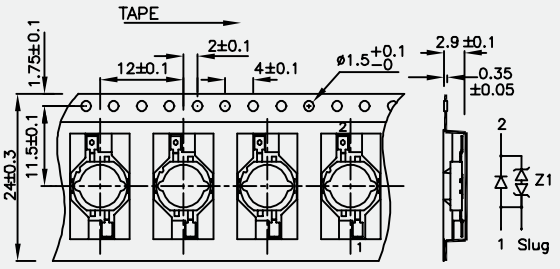
KAD1-1010

PACKAGE: 300PCS / REEL



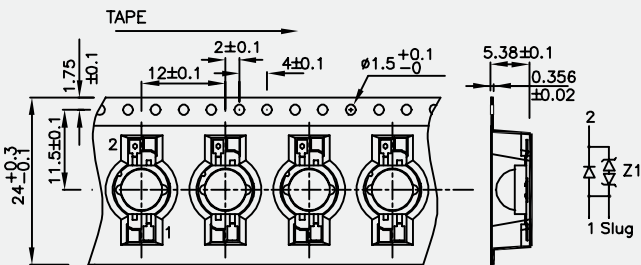
KA-8070

PACKAGE: 500PCS / REEL



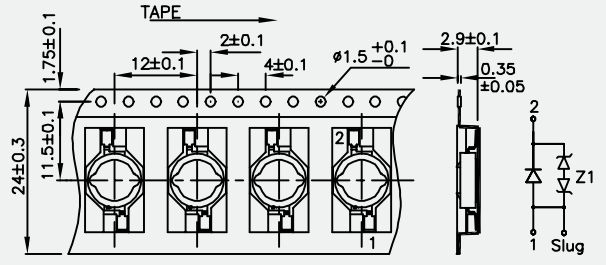
KADS-8070

PACKAGE: 500PCS / REEL



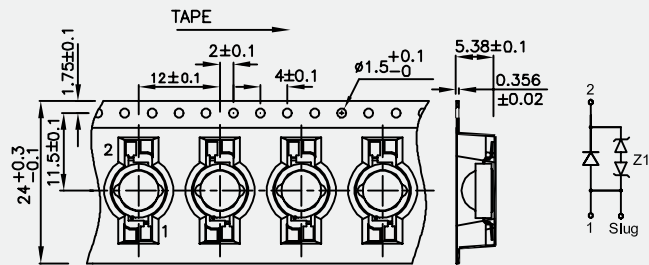
KA-8080

PACKAGE: 500PCS / REEL



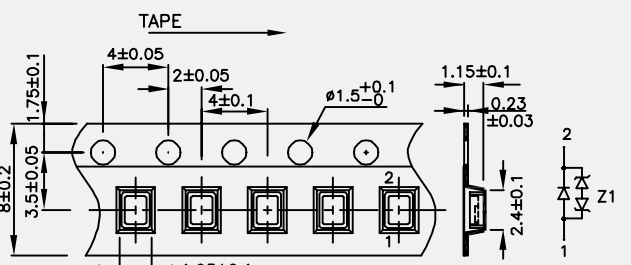
KADG1-8080

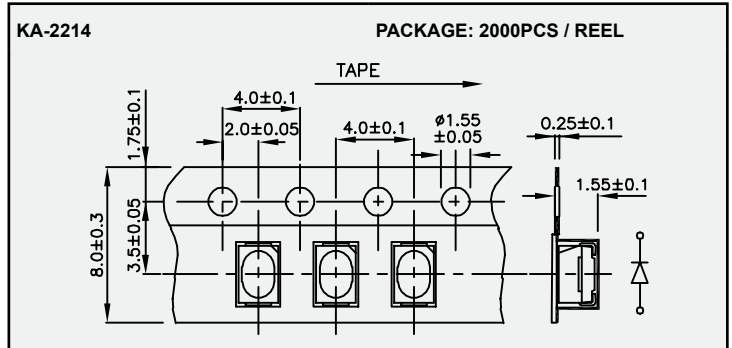
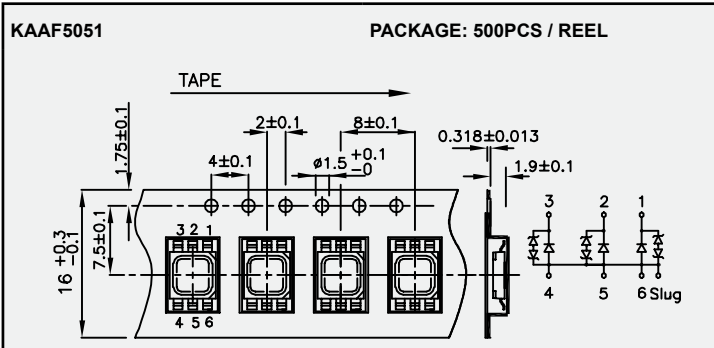
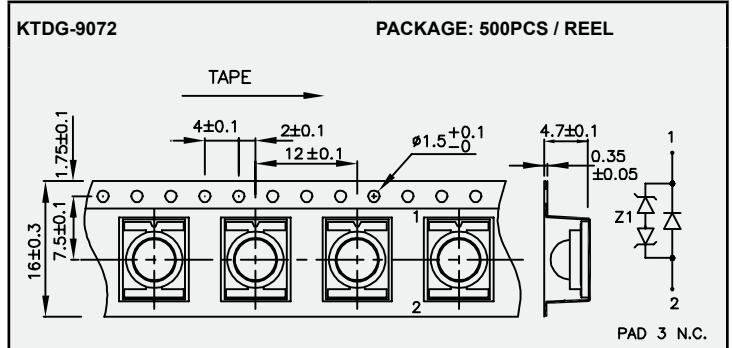
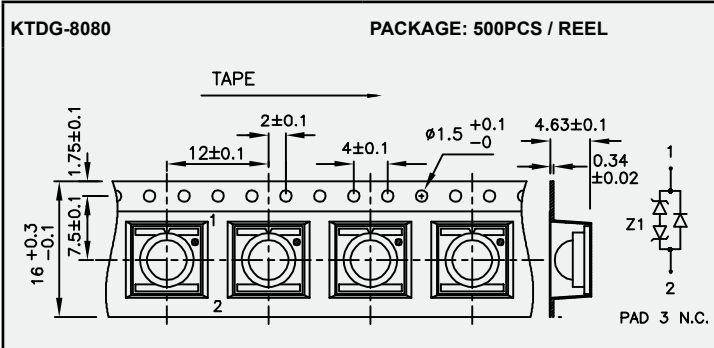
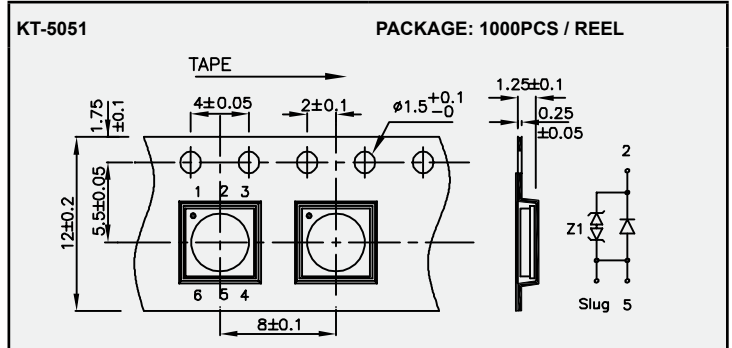
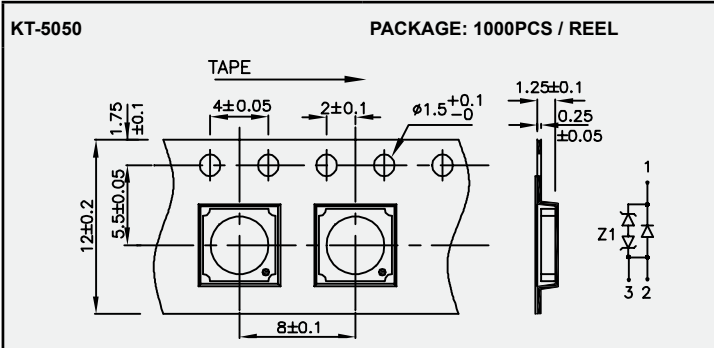
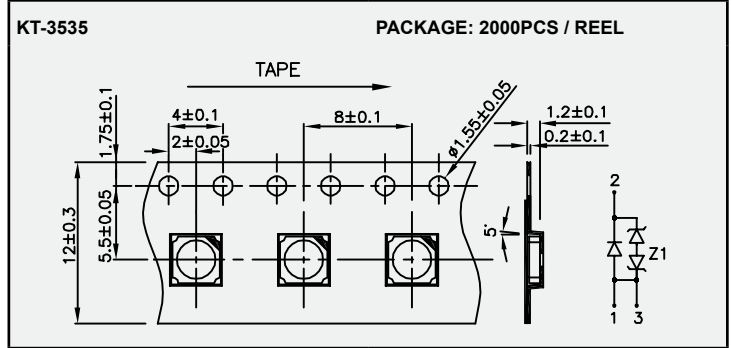
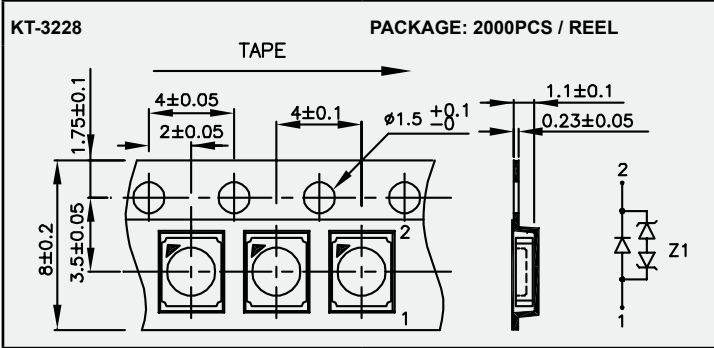
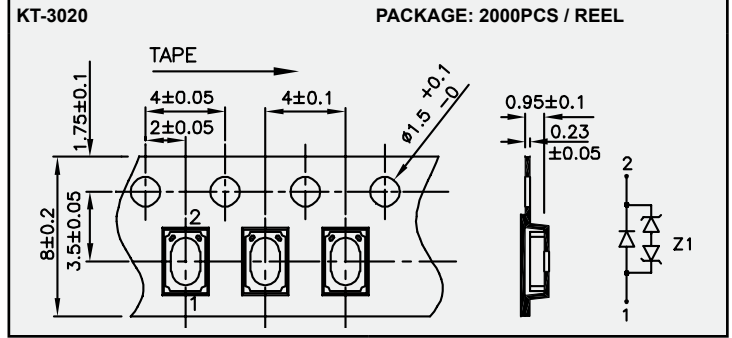
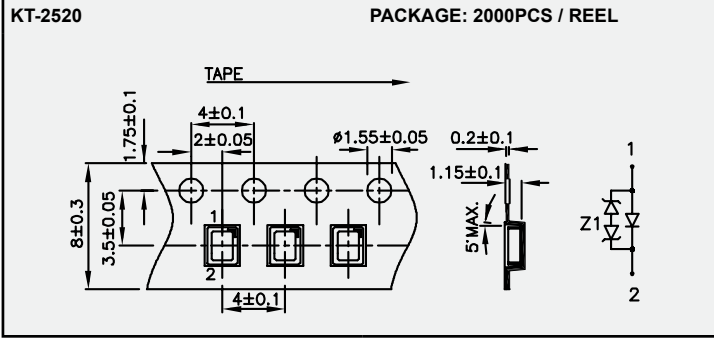
PACKAGE: 500PCS / REEL

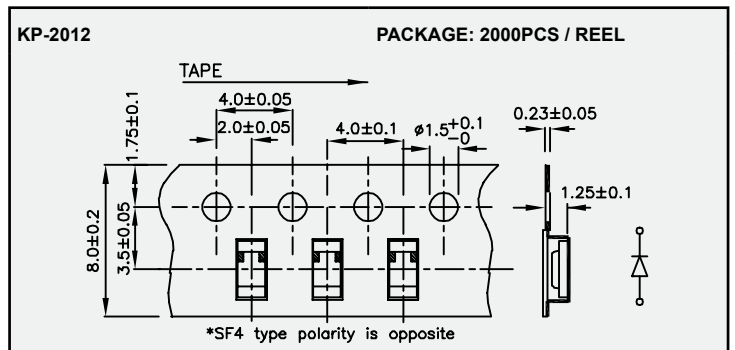
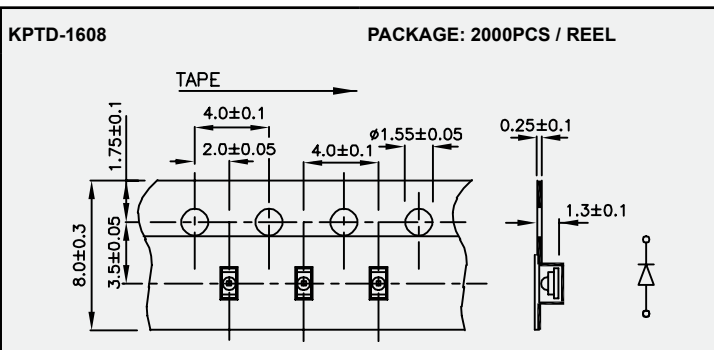
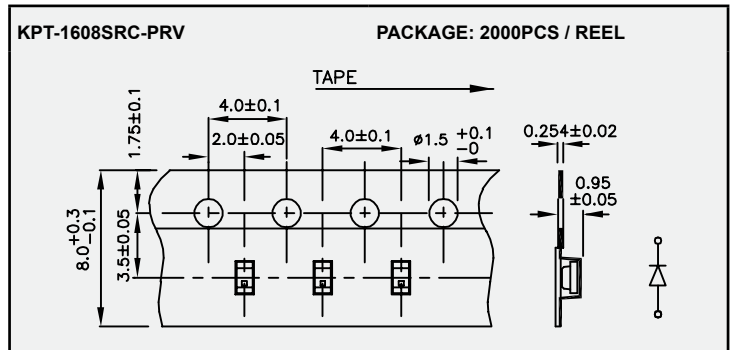
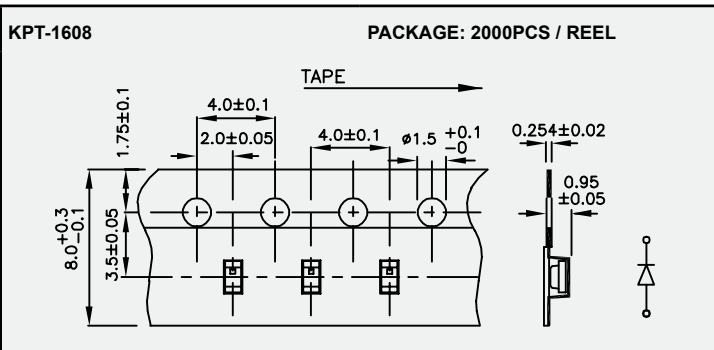
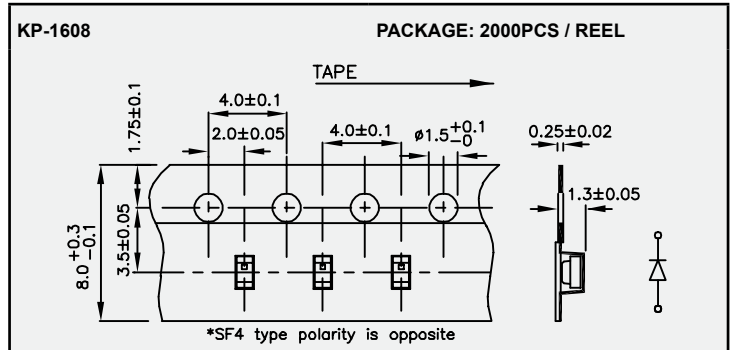
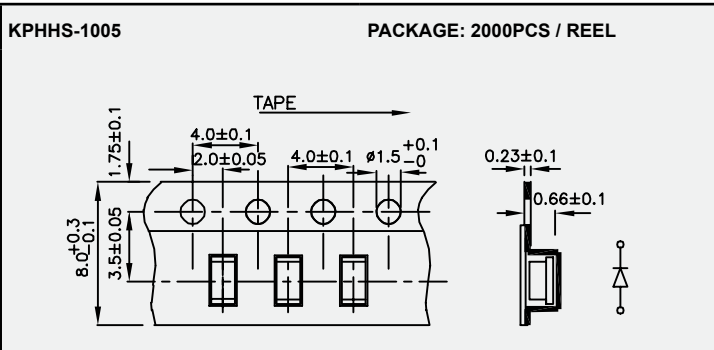
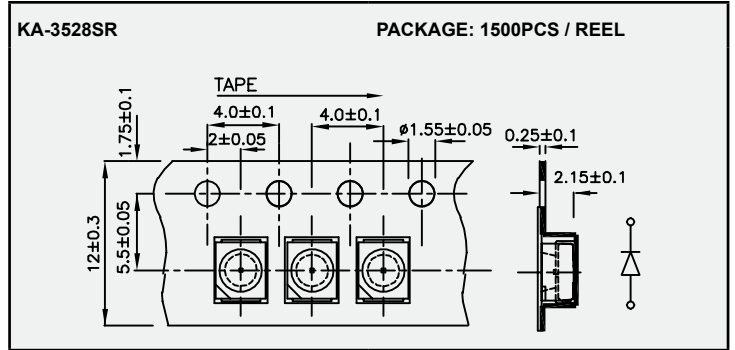
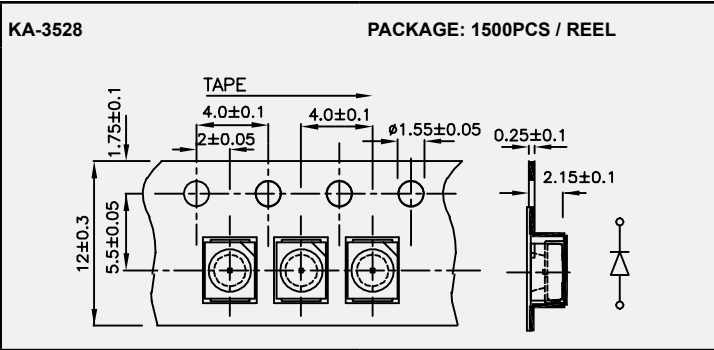
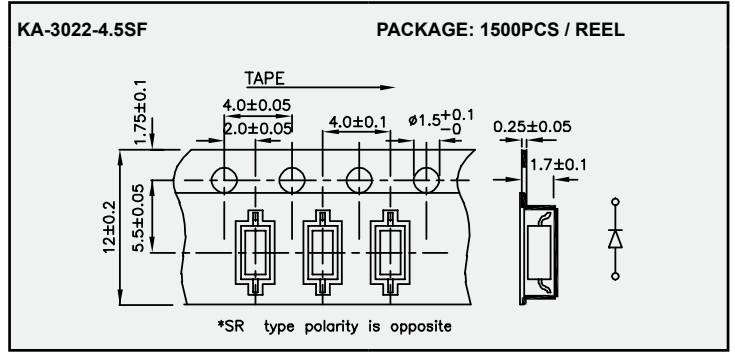
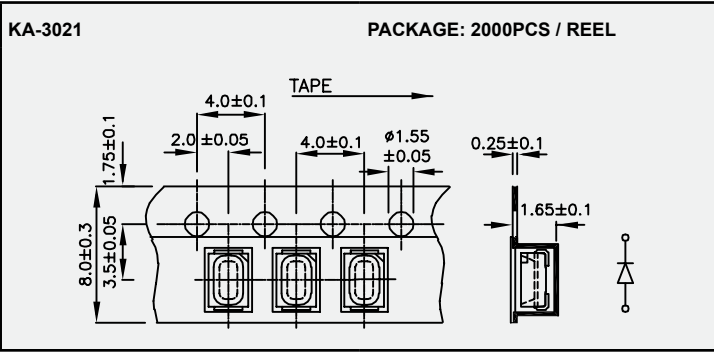


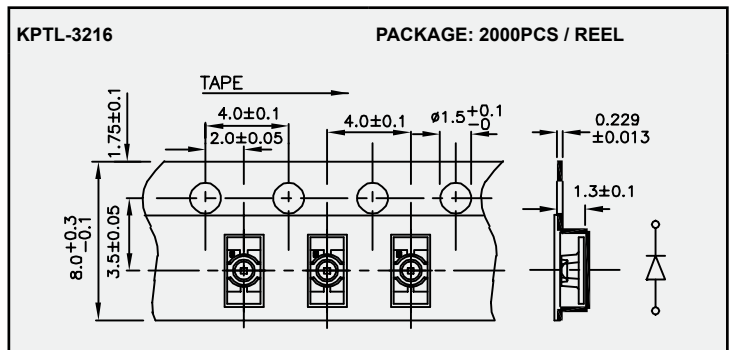
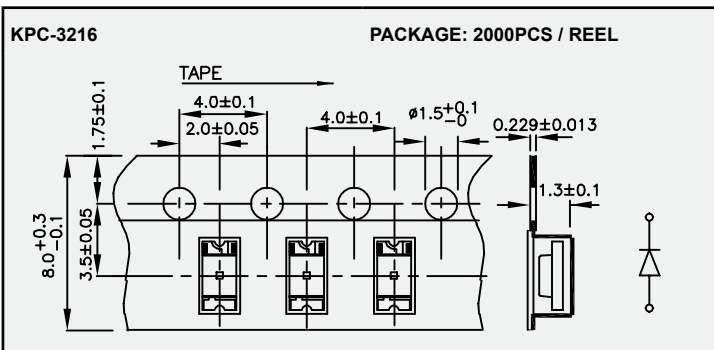
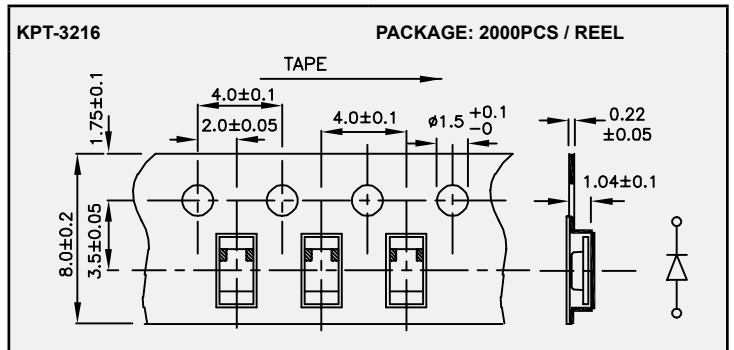
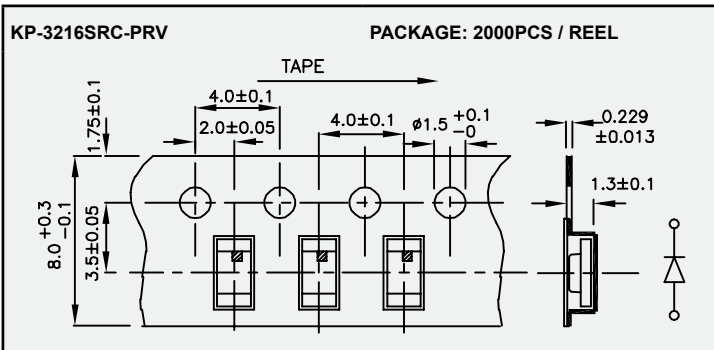
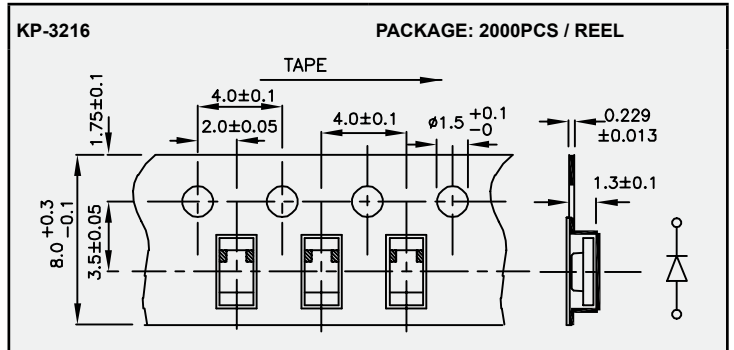
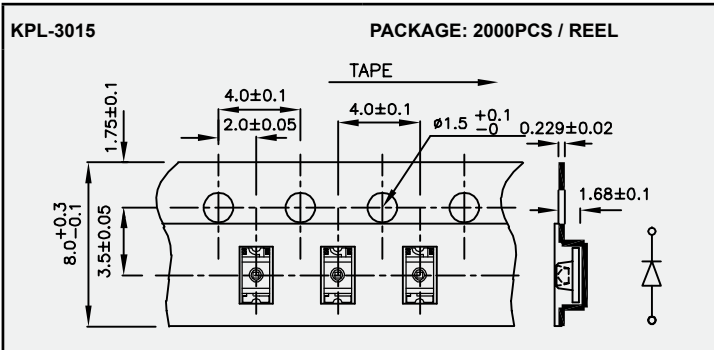
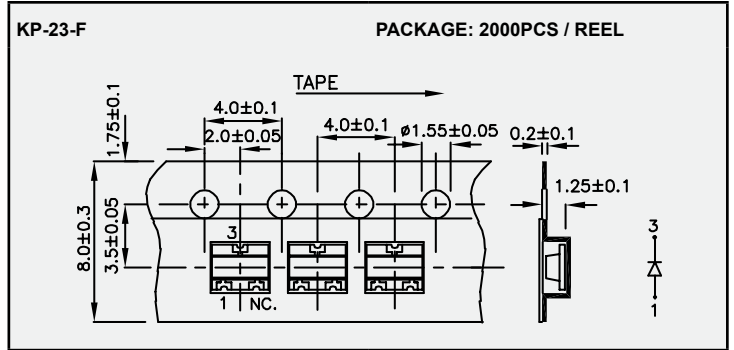
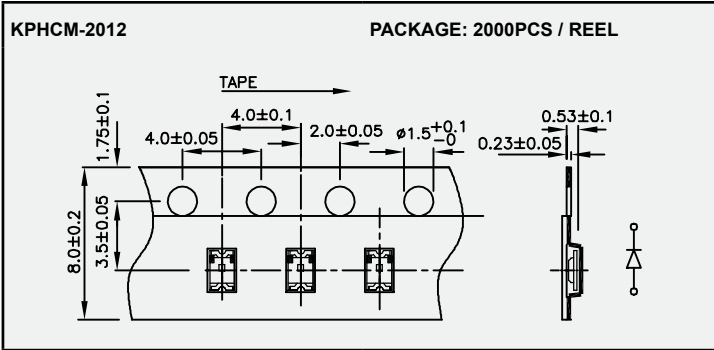
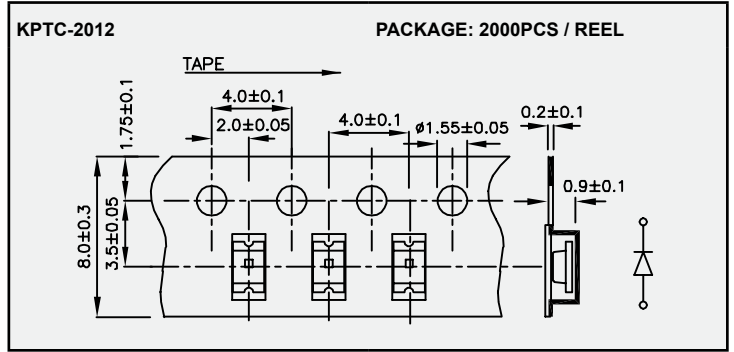
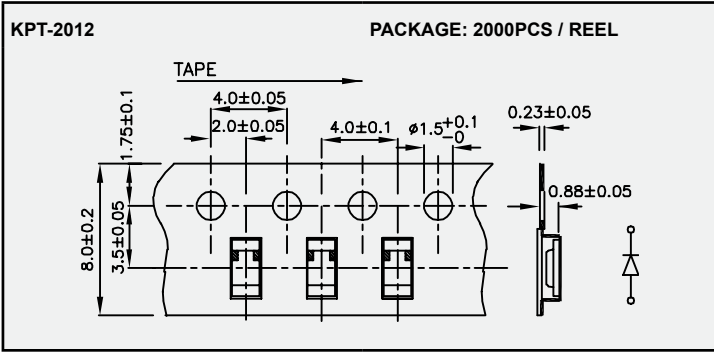
KT-2117

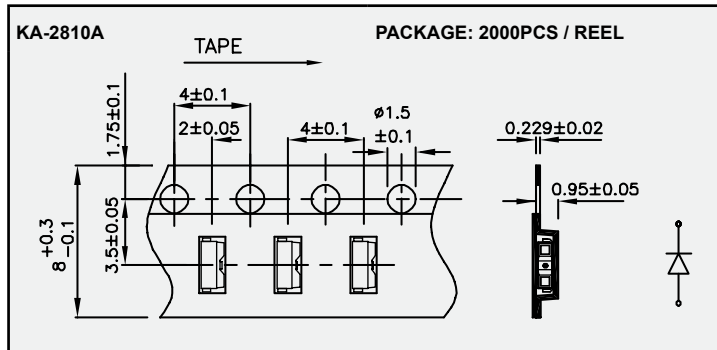
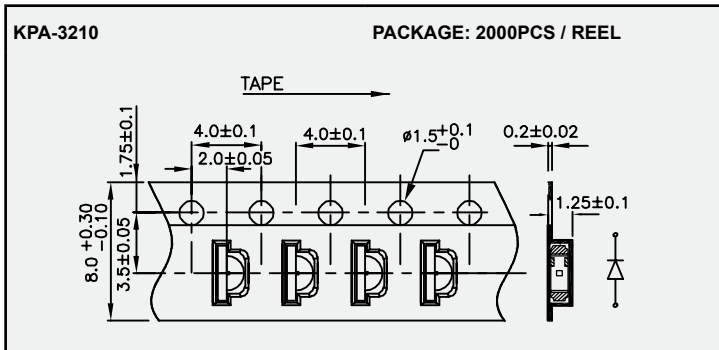
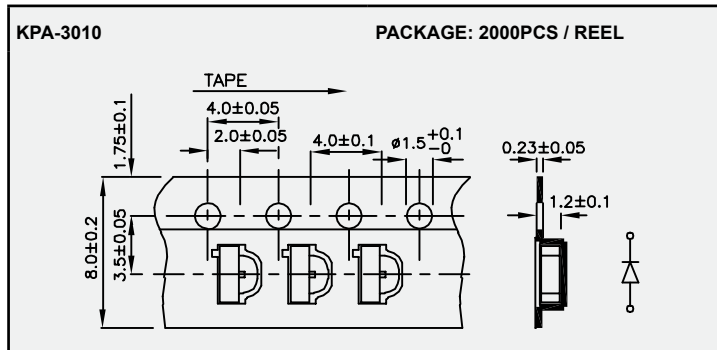
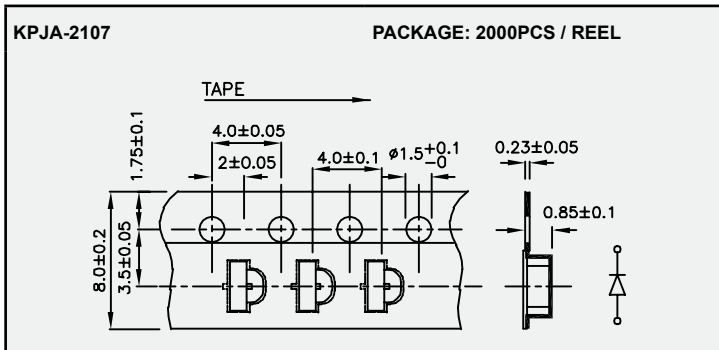
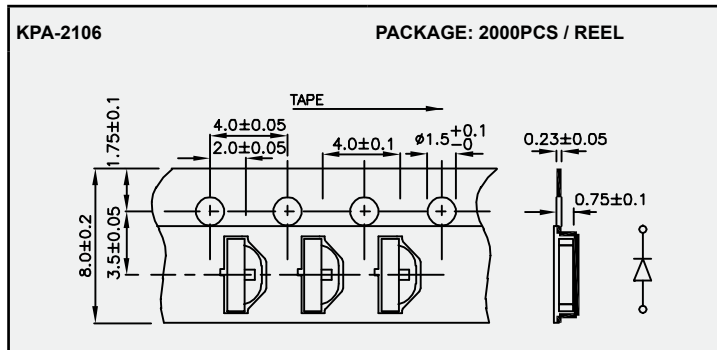
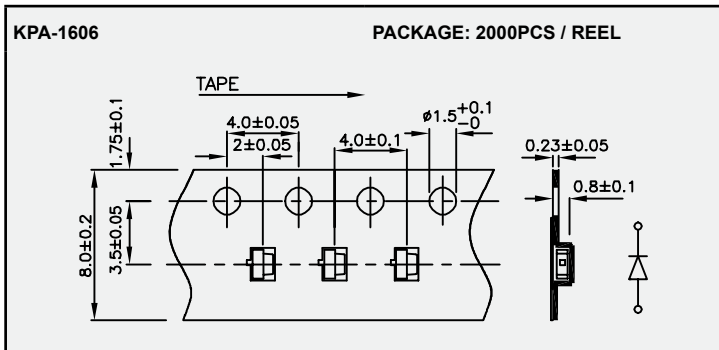
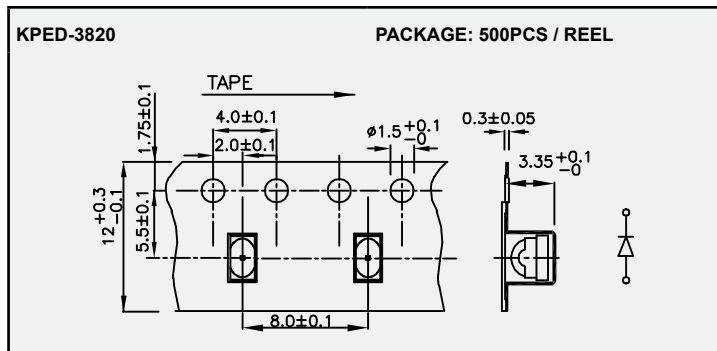
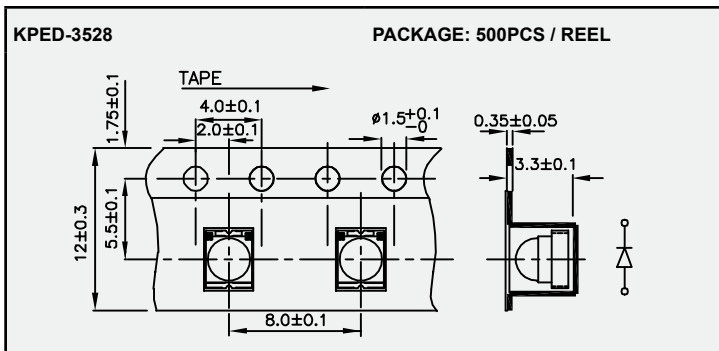
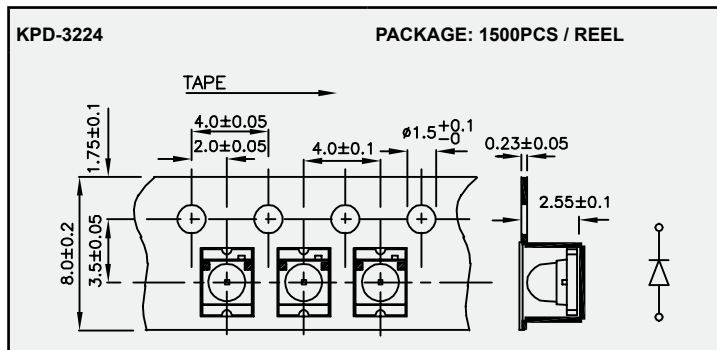
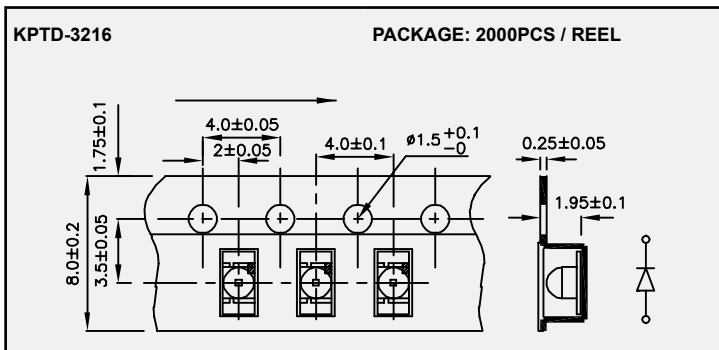
PACKAGE: 2000PCS / REEL



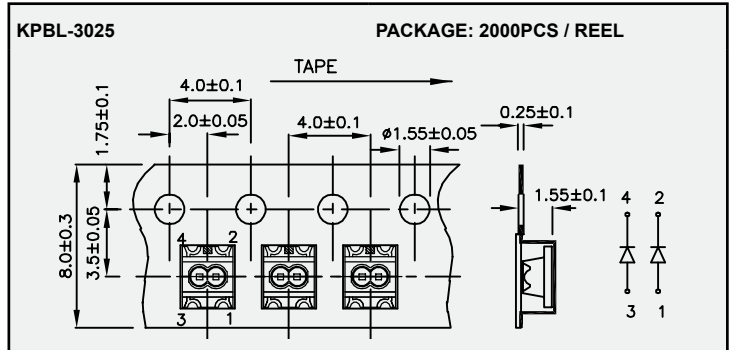
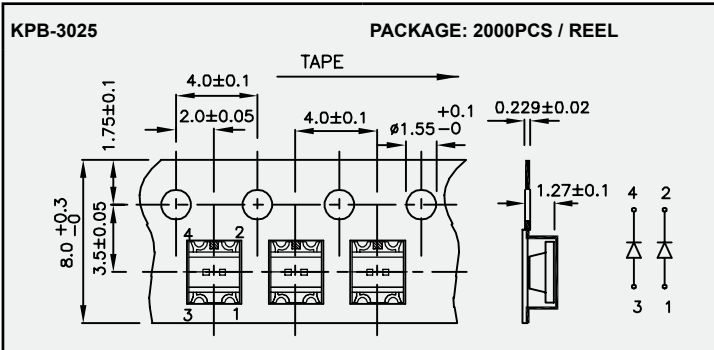
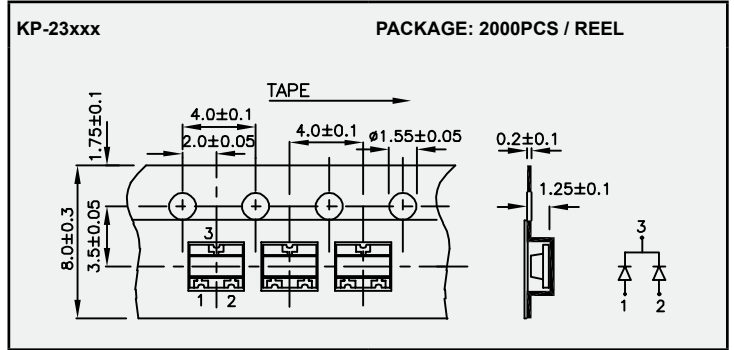
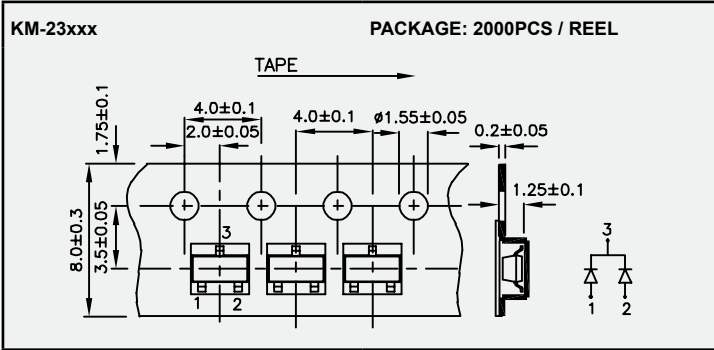
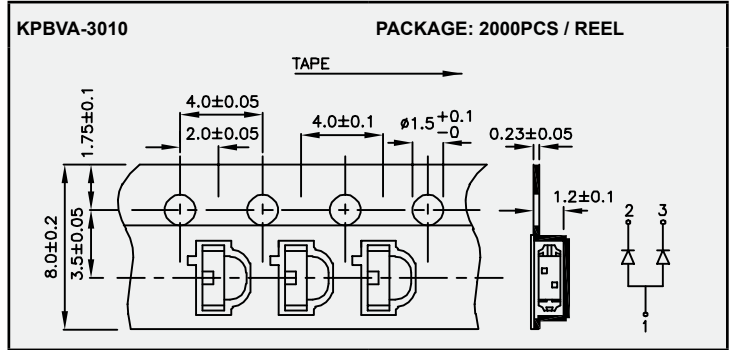
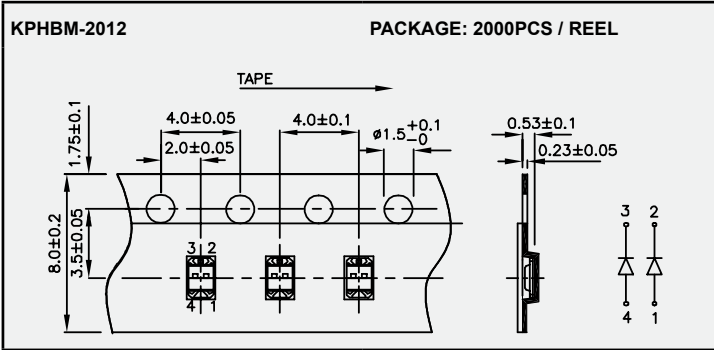
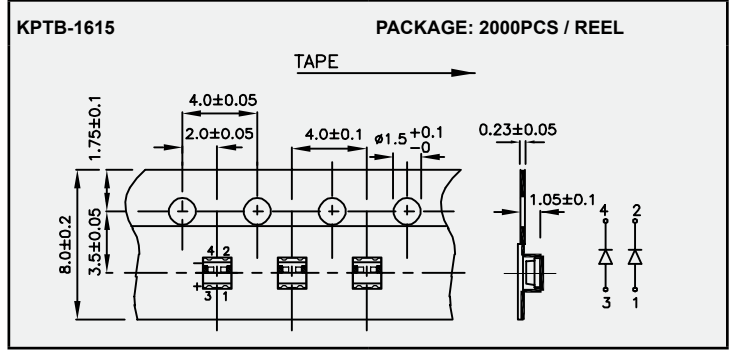
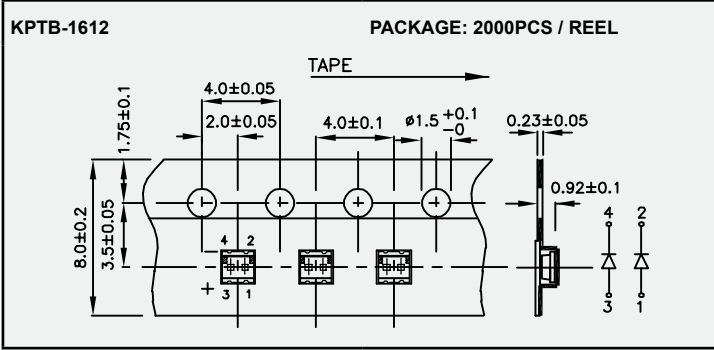
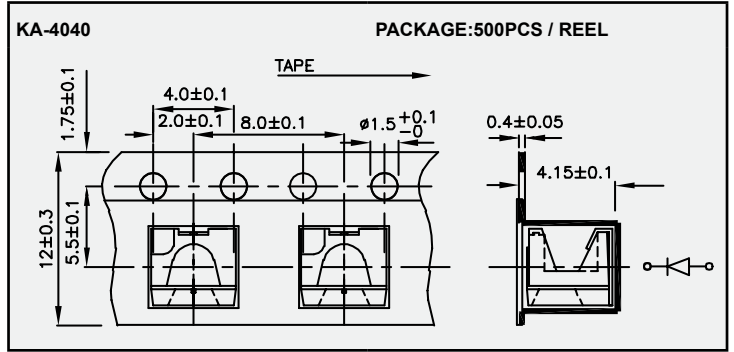
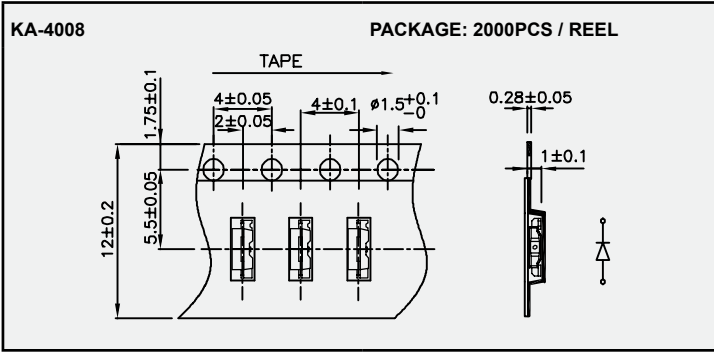




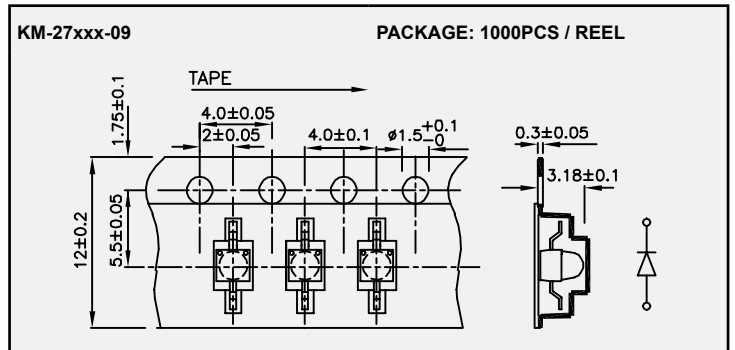
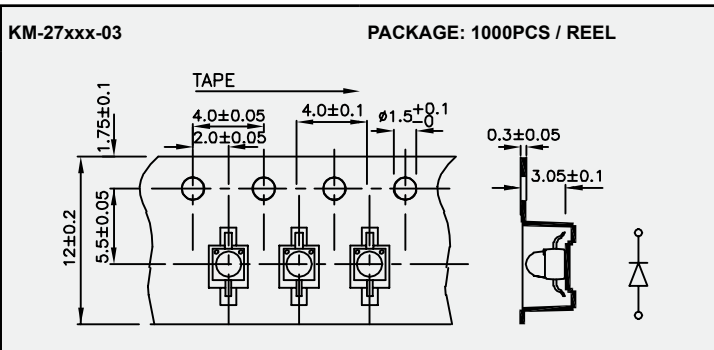
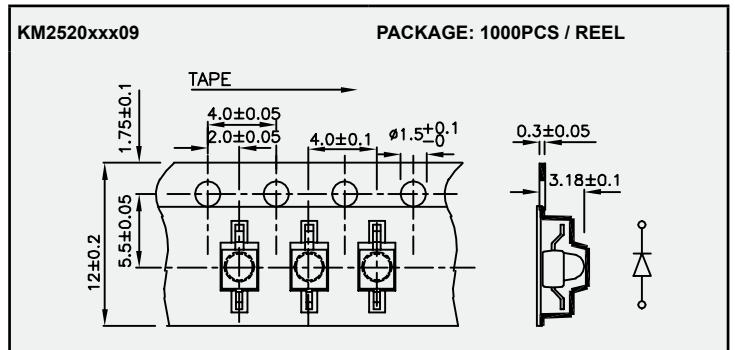
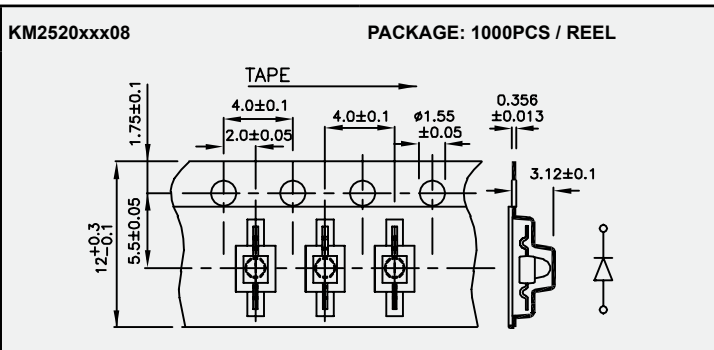
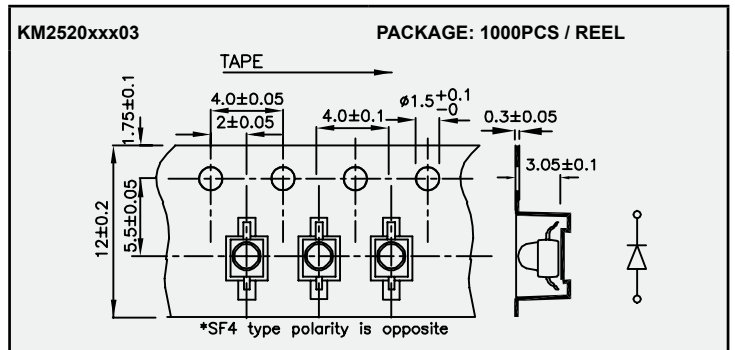
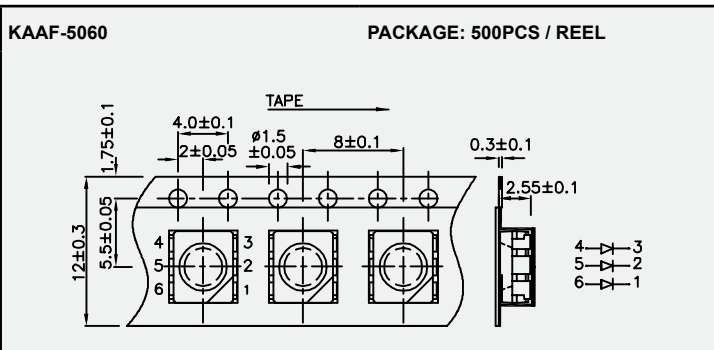
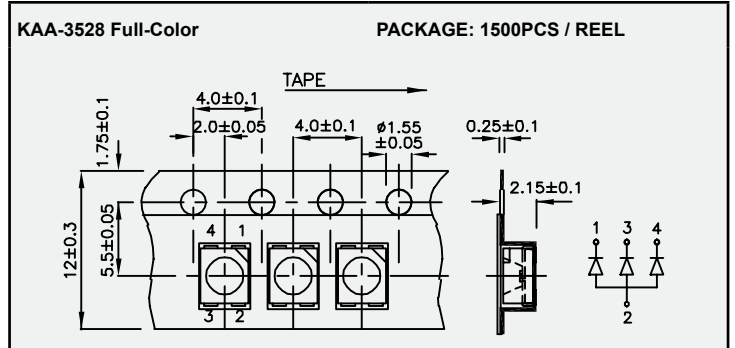
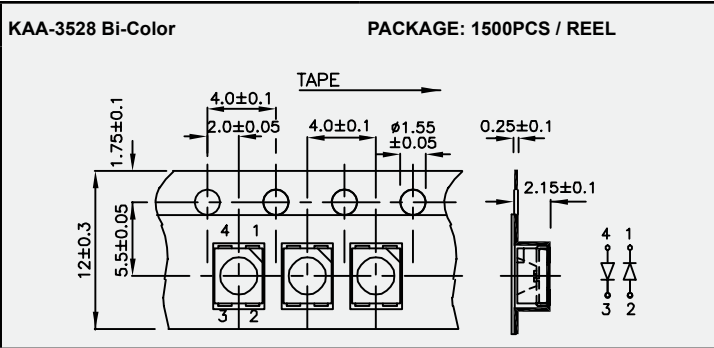
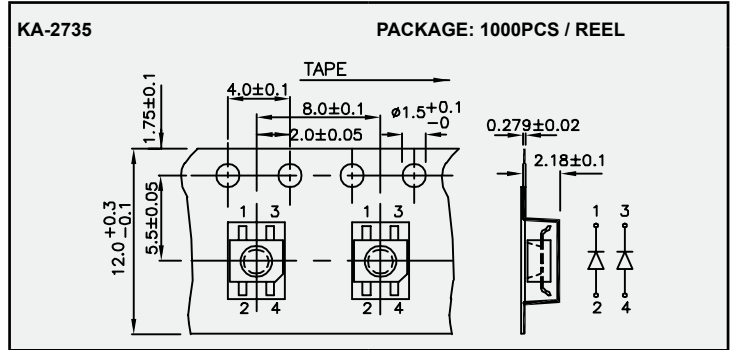
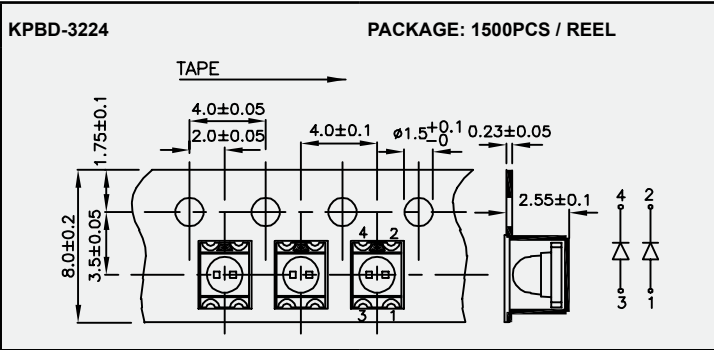




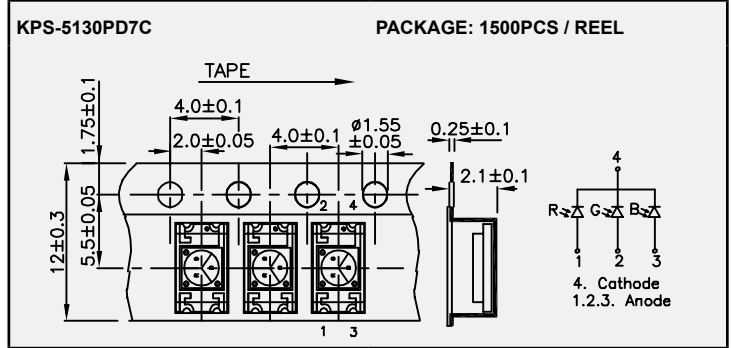
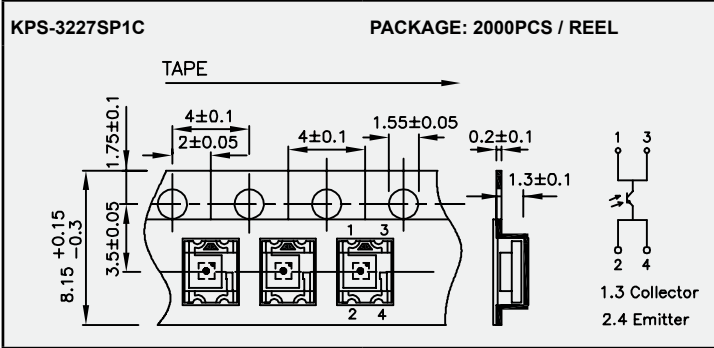
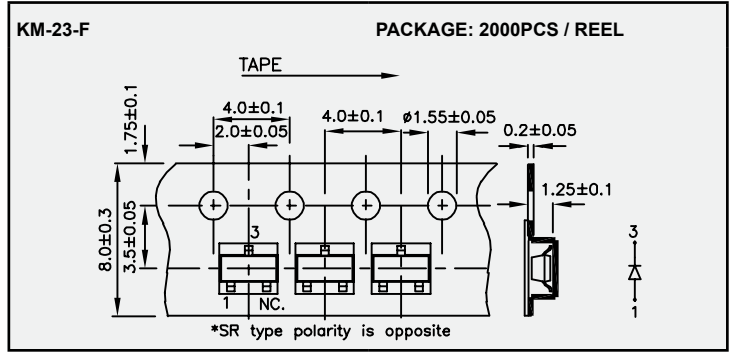
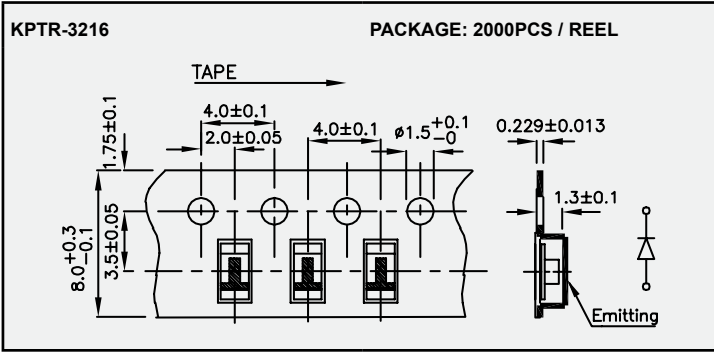
NOTE: 1. All dimensions are in millimeters.

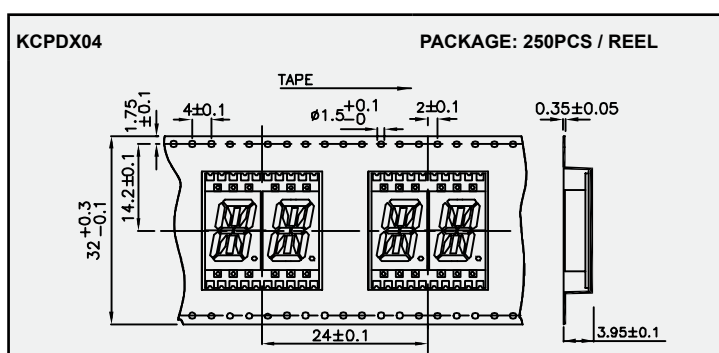
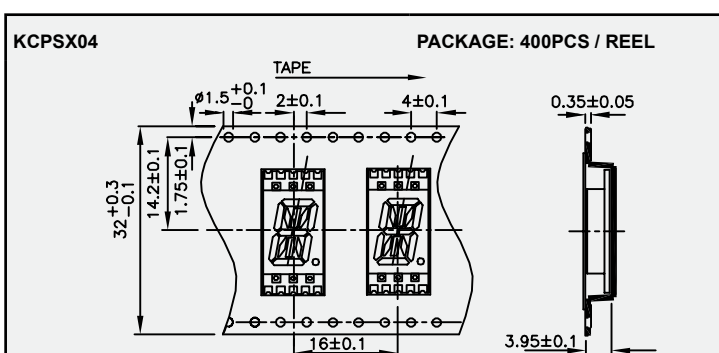
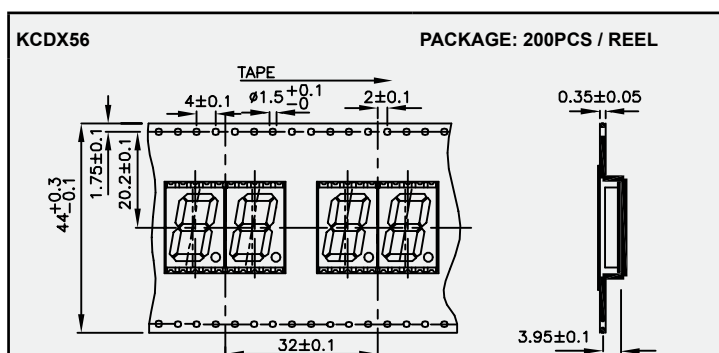
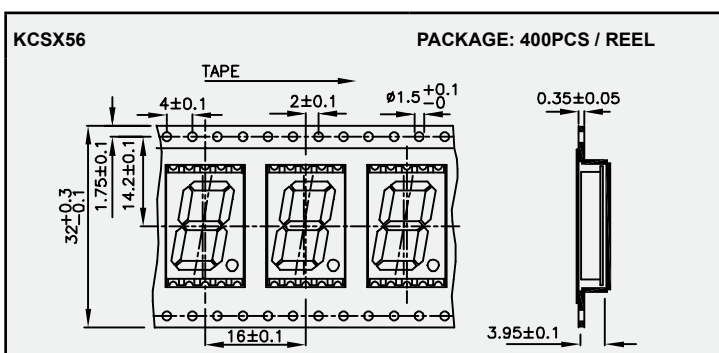
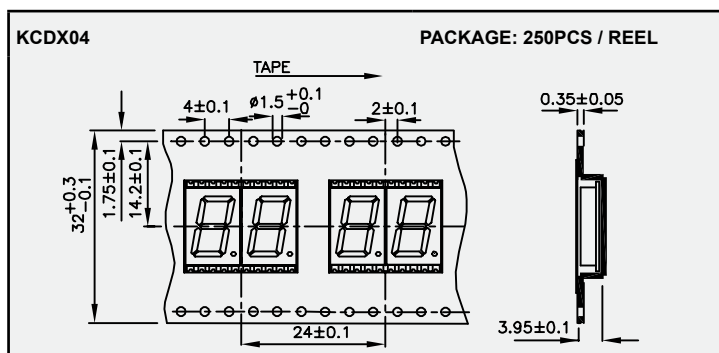
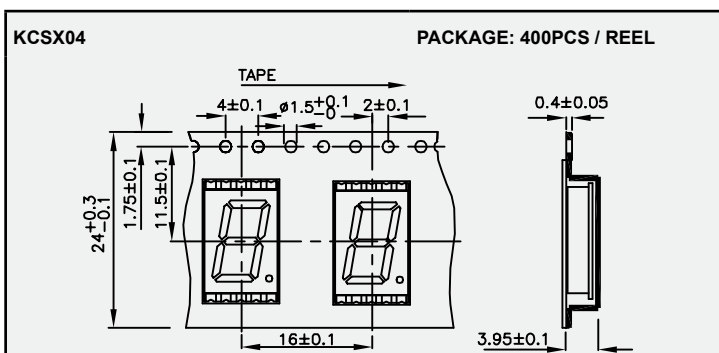
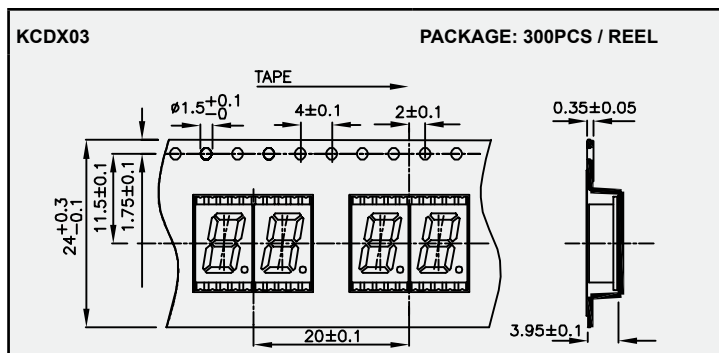
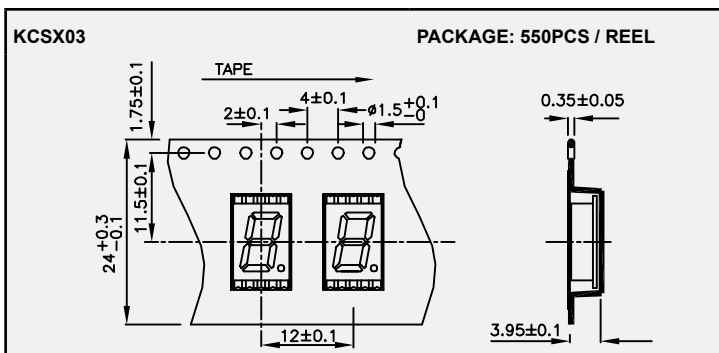
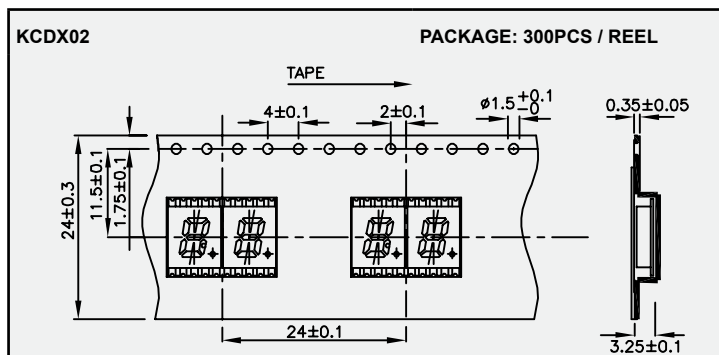
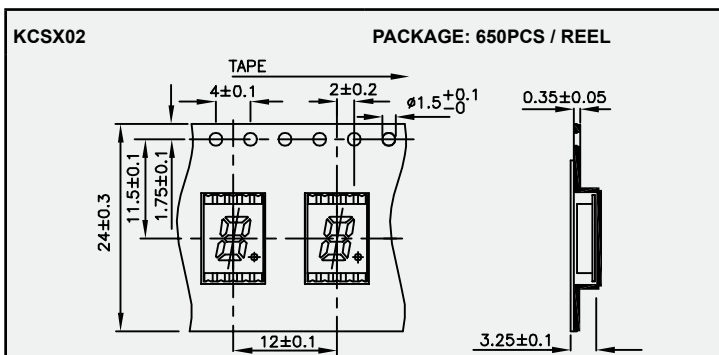


NOTE: 1. All dimensions are in millimeters.



NOTE: 1. All dimensions are in millimeters.





NOTE: 1. All dimensions are in millimeters.